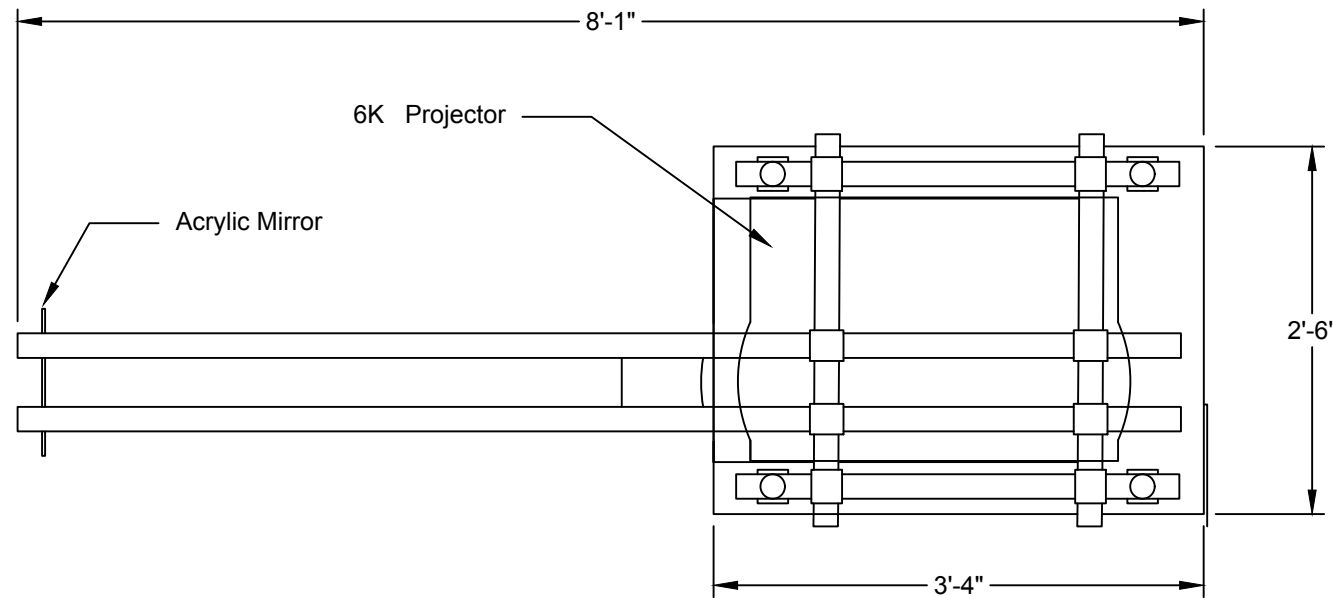
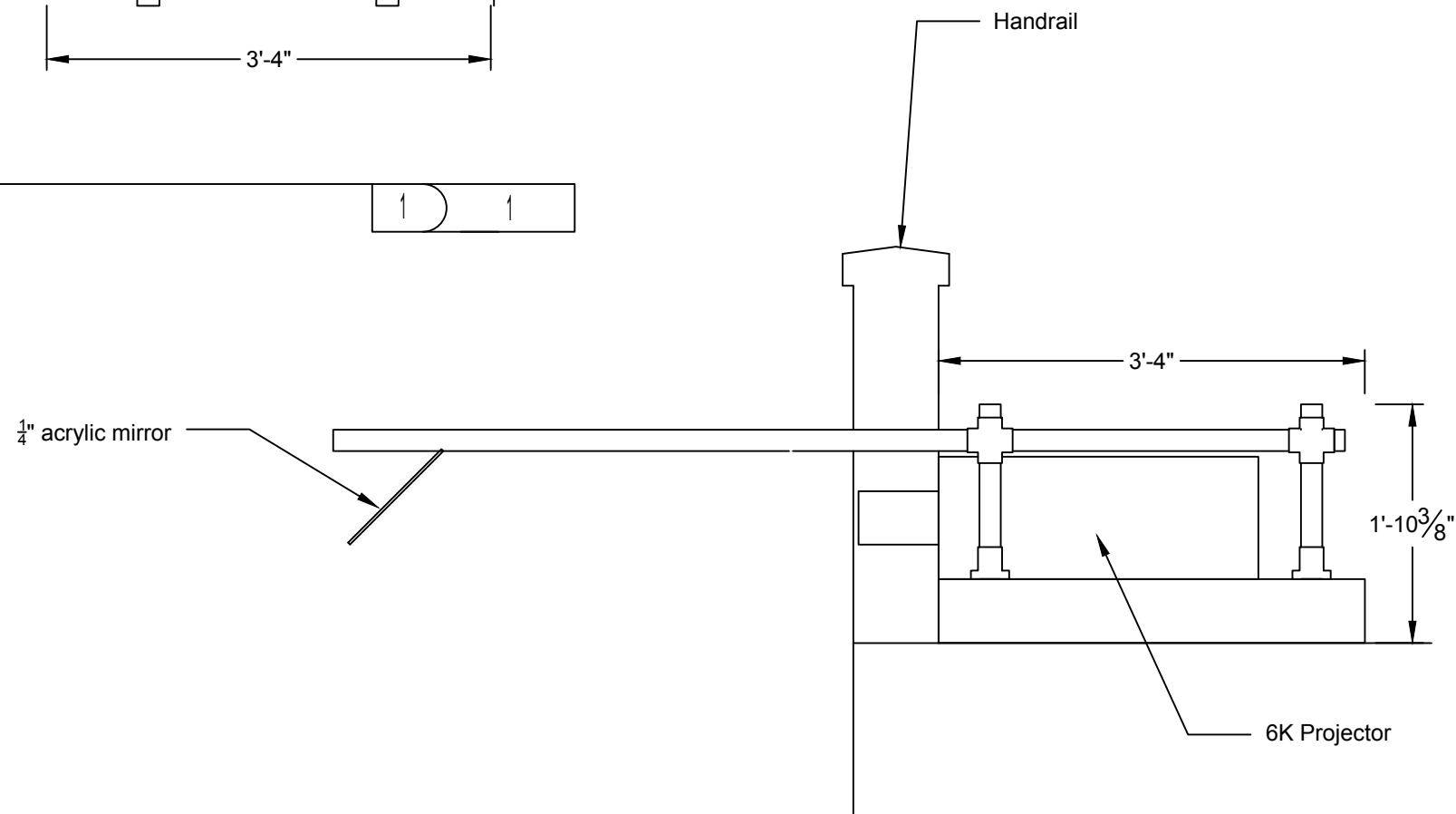


General Notes:

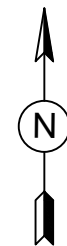
- Projector enclosure will be made out of 1-3/4" Sched. 40 Pipe and speed rail fittings on top of 8" tall plywood platform.
- Enclosure will include mounting position for 45° bounce mirror. Dimension of cantilever TBD, but will not exceed 4'.
- Projector will be powered using 220V circuit.



Projector Enclosure Top View
NTS



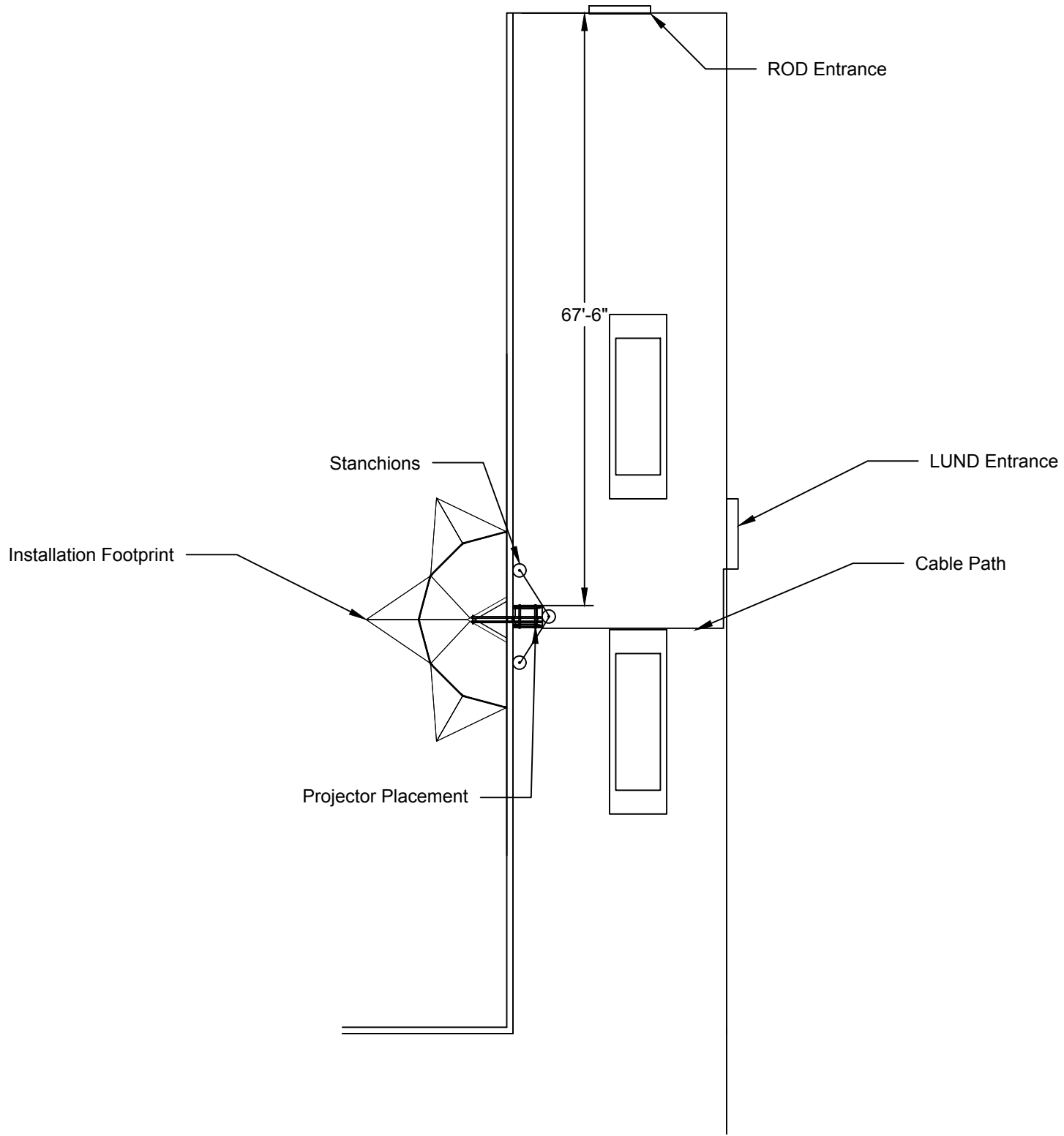
Balcony Projection Side View
NTS



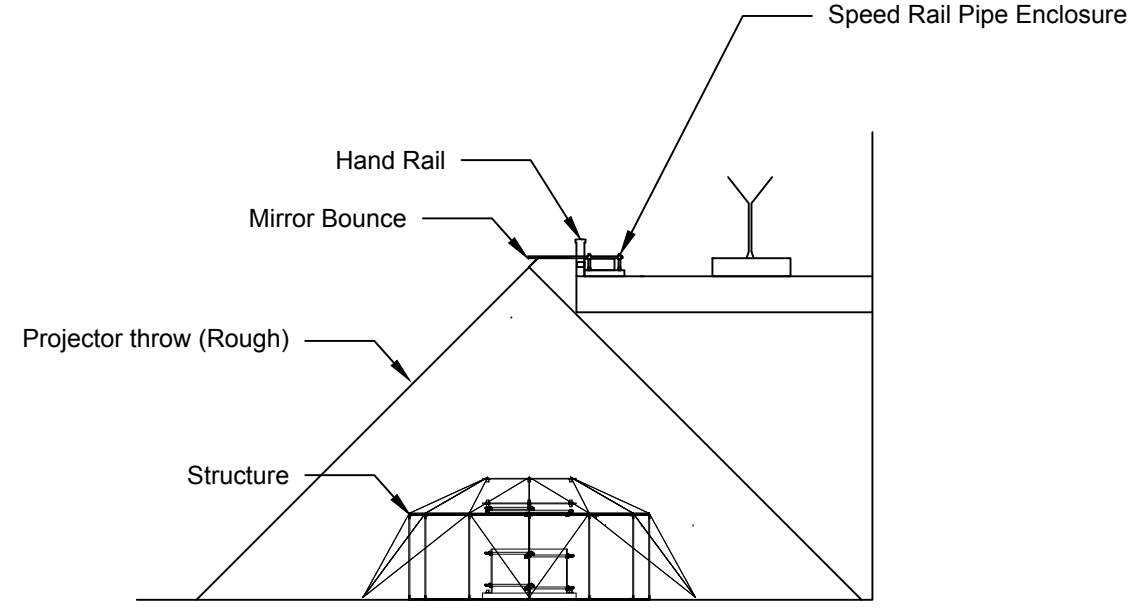
COM Calarts Expo
 COM
 Drafted by: Gabriel Bennett
 TD: Gabriel Bennett Sheet 1
 Designed by: Gabriel and Riley
 April 16, 2018 16-Apr-18
 Revision #: 1 Scale: 1/8"

General Notes:

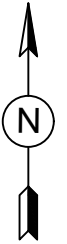
- Projector enclosure will be made out of 1-3/4" Sched. 40 Pipe and speed rail fittings on top of 8" tall plywood platform.
- Enclosure will include mounting position for 45° bounce mirror. Dimension of cantilever TBD, but will not exceed 4'.
- Projector will be powered using 220V circuit.



Balcony Projection Top View
NTS



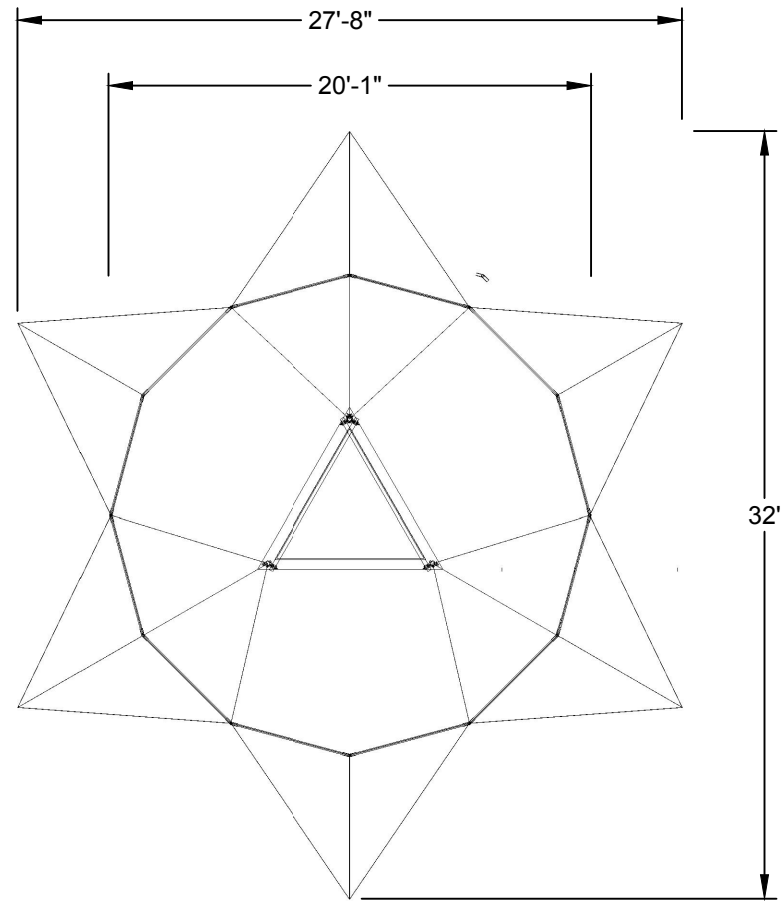
Balcony Projection Side View
NTS



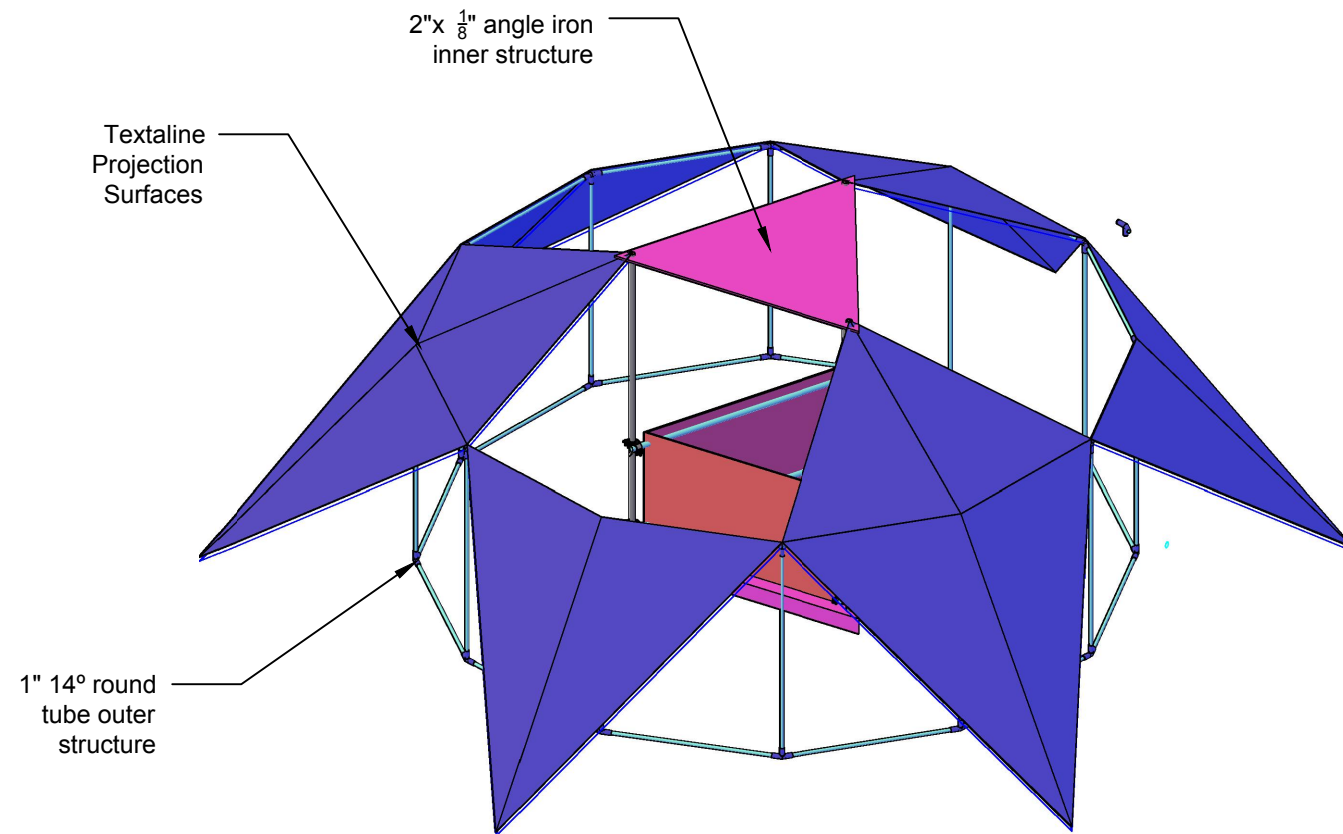
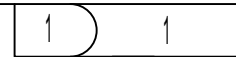
COM	
<small>COM Cabaret Digital Arts Expo</small>	
Drafted by: Gabriel Bennett	Sheet 1
TD: Gabriel Bennett	
Designed by: Gabriel and Riley	
<small>April 16, 2018-16-Apr-18</small>	
Revision #: 1	Scale: 1/2"

General Notes:

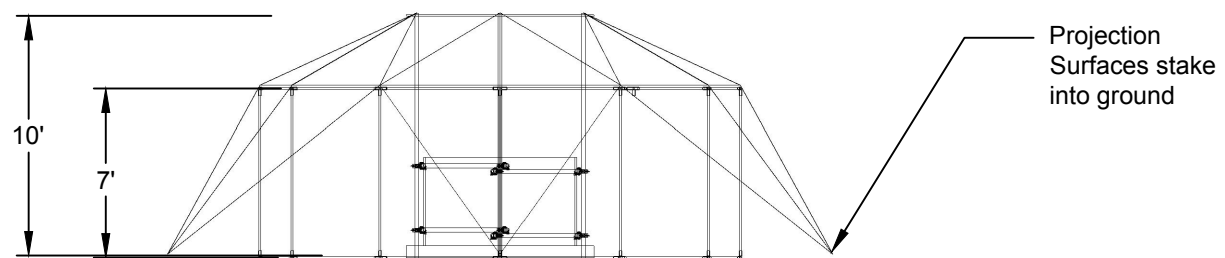
- Structure framing is constructed entirely of steel. Inner structure includes wooden platform and tables.
- Structure is built using corner fittings for ease of assembly and transport.
- Structure includes 6 textaline projection surfaces or "sails".
- Structure consists of inner and outer structure, bridged by textaline sails.



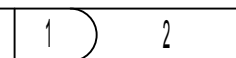
COM Structure Top View
1/8" : 1'



COM Structure SW Isometric
3/16" : 1'



COM Structure Side View
1/8" : 1'



COM

COM Cabern Digital Arts Expo

Drafted by: Gabriel Bernett

TD: Gabriel Bernett Sheet 1

Designed by: Gabriel and Riley

April 16, 2018 16-Apr-18

Revision #: 1 Scale: 1