

TOTAL RAILING COUNT			
TAG	MATERIAL	LENGTH	QTY
AA (HG-609)	2" 16g ROUND TUBE	10'-0 3/4"	3
AB (HG-610)	2" 16g ROUND TUBE	10'-0 3/4"	5
B (HG-611)	2" 16g ROUND TUBE	3'-8 1/4"	2
C (HG-612)	2" 16g ROUND TUBE	3'-1 7/8"	2

Notes:  
 -HANDRAILS THROUGH BOLT TO SIDE OF STEP UNITS AND BUILT PLATFORMS USING 3/8" HEX BOLTS.  
 -USE 1-1/2" (ACTUAL 2") PIPE FLANGE WHEN ATTACHING TO SIDE OF PLATFORM IS NOT POSSIBLE.

**CALARTS**  
 TECHNICAL DESIGN  
 24700 MCBEAN PARKWAY  
 VALENCIA, CA. 91355  
 608-432-9263  
 WWW.CALARTS.EDU

**TD: KEVIN BROWN**  
 410-443-5376  
**ATD: MASON AXELSON**  
 503-277-3650

**DRAFTED BY:**  
 GABRIEL BENNETT  
**PHONE #:**  
 510 710 0327

CALARTS SCHOOL OF THEATER- E407  
**HEDDA GABLER**

**REV #:**v.1  
**SCALE:**NTS  
**DATE:**10/10/2018

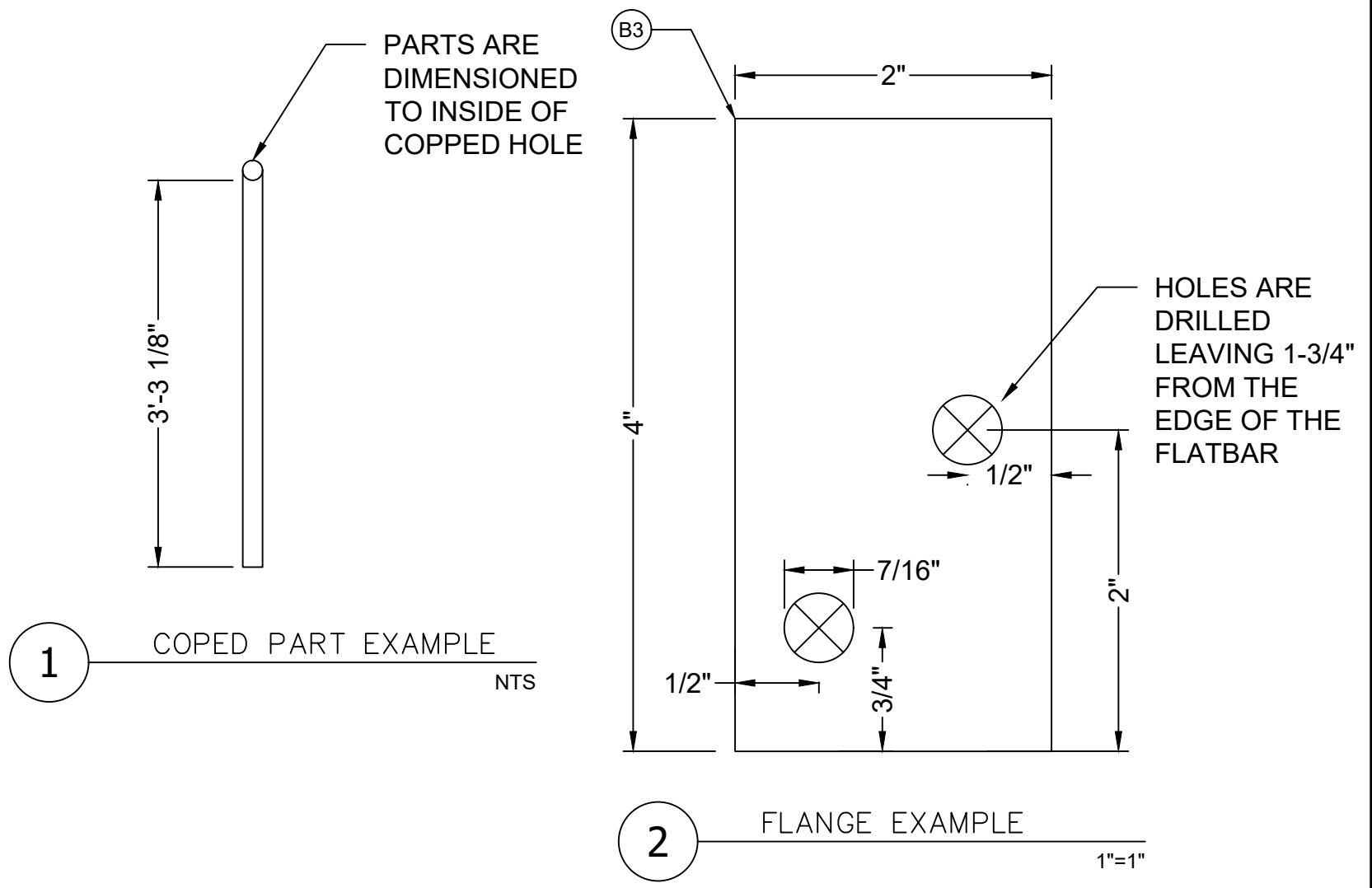
**ELEMENT:**AUDIANCE HANDRAILS  
**DRAWING TITLE:**OVERVIEW  
**DRAWING #:**HG-600

**AWAITING REVIEW:**   
**APPROVED FOR SHOP:**   
**APPROVED BY:**

# RAILING PARTS CUT LIST

TAG	MATERIAL	LENGTH	ANGLE	QTY
A1	2" 16g ROUND TUBE	10'-0 3/4"	32° /_ / 32°	8
A2	2" 16g ROUND TUBE	5'-2 3/4"	32° >/_ /< 32°	8
A3	2" 16g ROUND TUBE	4'-4 1/8"	32° >/_ /< 32°	8
A4	2" 16g ROUND TUBE	3'-3 1/2"	90°  _ /< 32°	8
A5	2" 16g ROUND TUBE	3'-2 3/4"	90°  _ /< 32°	8
A6	2" 16g ROUND TUBE	2'-10 5/8"	90°  _ /< 32°	8
B1	2" 16g ROUND TUBE	3'-8 1/4"	90°  _   45°	2
B2	2" 16g ROUND TUBE	3'-2 5/8"	90° >/_ /< 90°	2
B3	2" 16g ROUND TUBE	3'-3 1/8"	90°  _ /< 90°	6
C1	2" 16g ROUND TUBE	3'-4 1/2"	45° /_   90°	2
C2	2" 16g ROUND TUBE	2'-8 1/2"	90° >/_ /< 90°	2
F1	1/8" FLATBAR	0'-3"	90°  _   90°	24

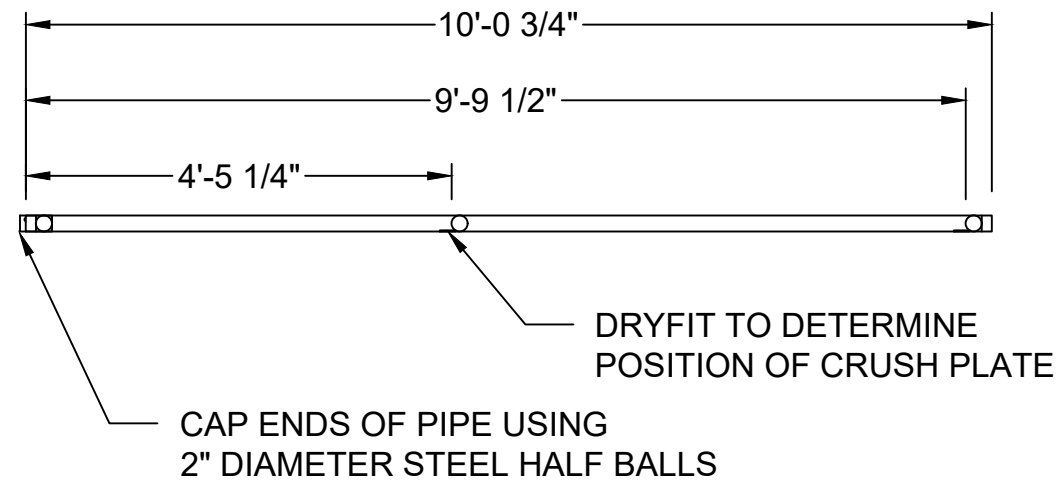
CUT PARTS 2-3" LONG AND COPE TO EXACT DIMENSION



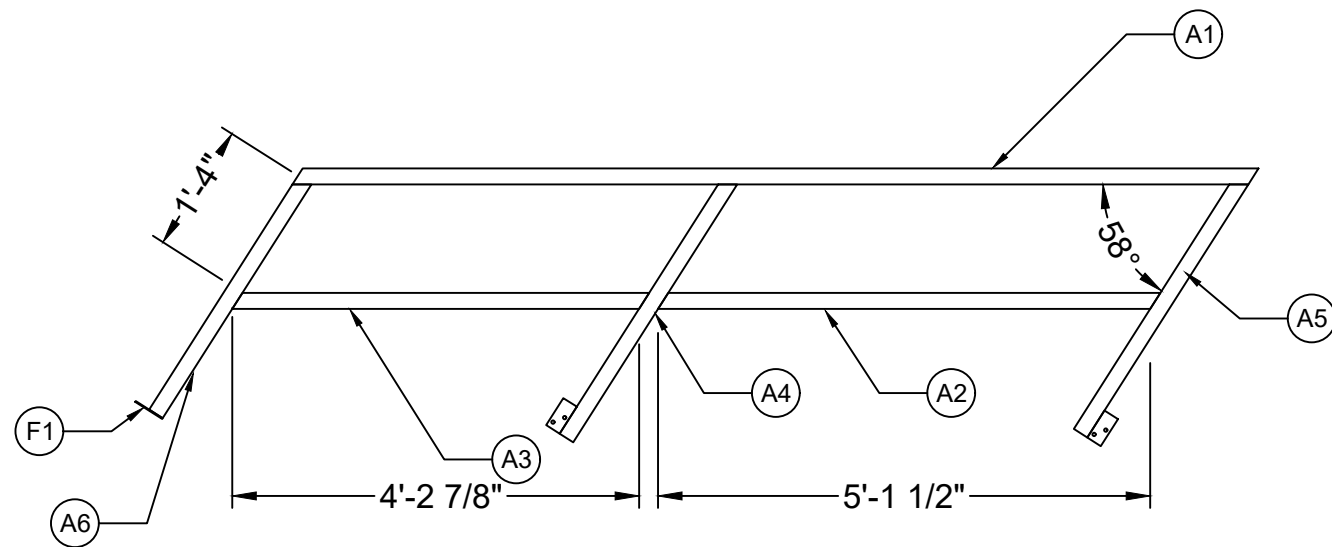
Notes:  
 -PIECES A2 - A6 ARE COPE AT A 32° ANGLE USING A 2" HOLE SAW  
 -COPE PARTS ARE DIMENSIONED TO INSIDE DIAMETER  
 -RAILINGS THROUGH BOLT TO CRUSH PLATES USING 3/8" HEX BOLTS

<b>CALARTS</b> TECHNICAL DESIGN <small>24700 MCBEAN PARKWAY                  VALENCIA, CA. 91355                  608-432-9263                  WWW.CALARTS.EDU</small>	TD: KEVIN BROWN 410-443-5376	DRAFTED BY: GABRIEL BENNETT	CALARTS SCHOOL OF THEATER- E407	REV #:V.1	ELEMENT: AUDIANCE HANDRAILS	AWAITING REVIEW: <input checked="" type="checkbox"/>
	ATD: MASON AXELSON 503-277-3650	PHONE #: 510 710 0327	<h2>HEDDA GABLER</h2>	SCALE: 1/2" : 1'	DRAWING TITLE: CUTLIST	APPROVED FOR SHOP: <input checked="" type="checkbox"/>
		DATE: 10-6-2010		DRAWING #: 610	APPROVED BY:	

# \*\* MAKE 3



1 RAIL AA TOP VIEW NTS

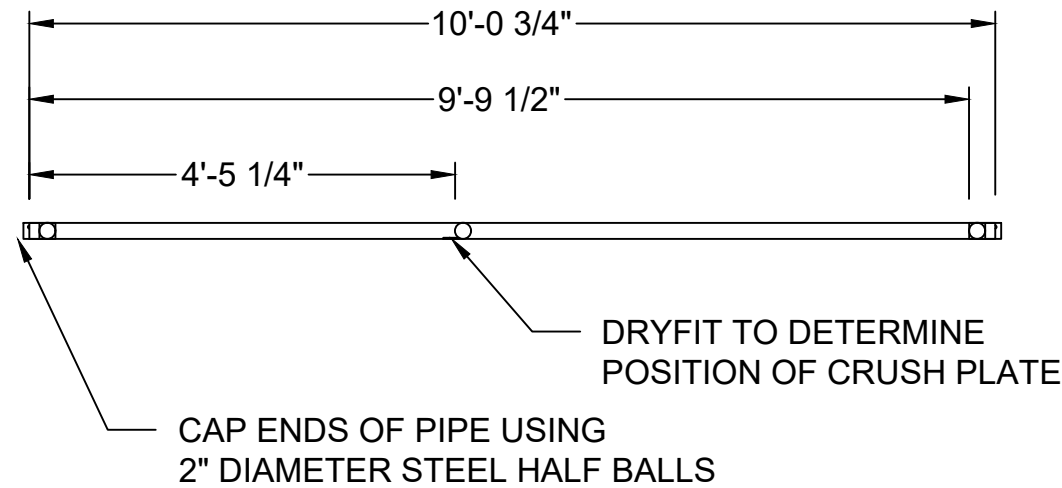


2 RAIL AA SIDE VIEW NTS

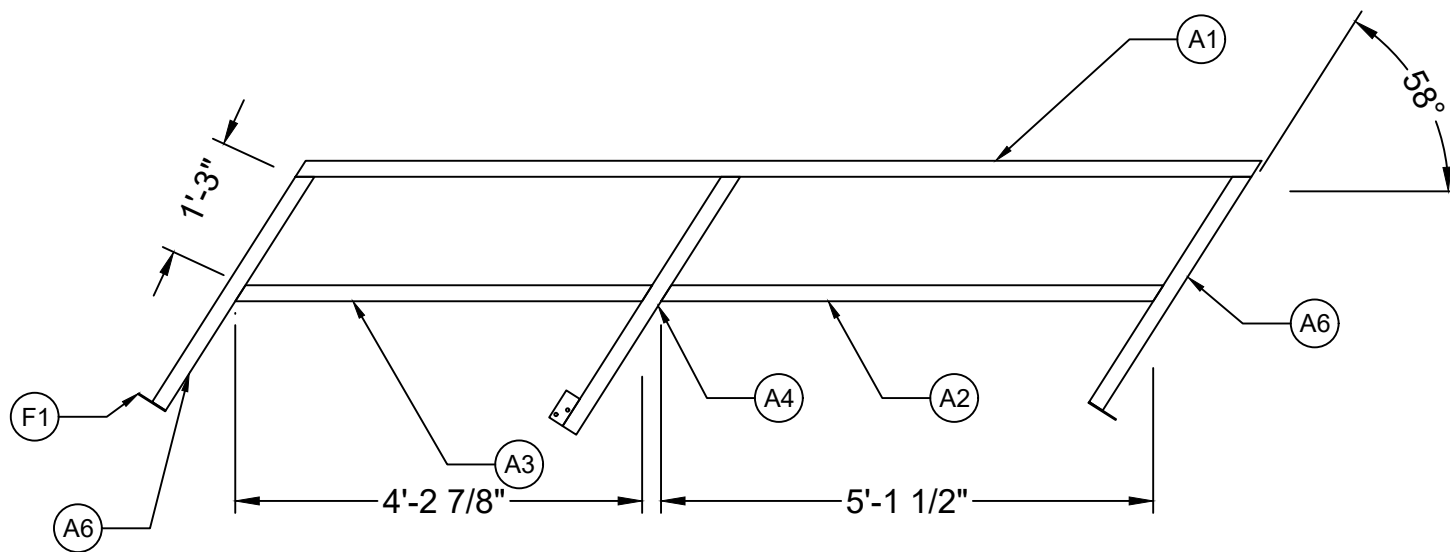
RAIL AA PARTS LIST				
TAG	MATERIAL	LENGTH	ANGLE	QTY
A1	2" 16g ROUND TUBE	10'-0 3/4"	32° /_ / 32°	3
A2	2" 16g ROUND TUBE	5'-2 3/4"	32° >/_ /< 32°	3
A3	2" 16g ROUND TUBE	4'-4 1/8"	32° >/_ /< 32°	3
A4	2" 16g ROUND TUBE	3'-3 1/2"	90°  _ /< 32°	3
A5	2" 16g ROUND TUBE	3'-2 3/4"	90°  _ /< 32°	3
A6	2" 16g ROUND TUBE	2'-10 5/8"	90°  _ /< 32°	3
F1	1/8" FLATBAR	0'-4"	90°  _   90°	9

Notes:  
 -PIECES A2 - A6 ARE COPED AT A 32° ANGLE USING A 2" HOLE SAW  
 -COPE PARTS ARE DIMENSIONED TO INSIDE DIAMETER  
 -RAILINGS THROUGH BOLT TO CRUSH PLATES USING 3/8" HEX BOLTS

# \*\*MAKE 5



1 RAIL AB TOP VIEW NTS

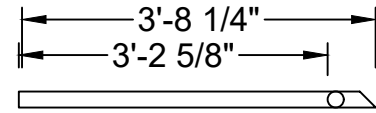


2 RAIL AB SIDE VIEW NTS

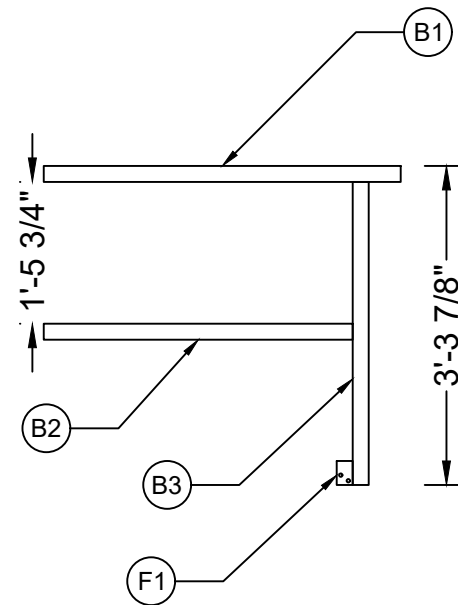
RAIL AB PARTS LIST				
TAG	MATERIAL	LENGTH	ANGLE	QTY
A1	2" 16g ROUND TUBE	10'-0 3/4"	32° /_ / 32°	5
A2	2" 16g ROUND TUBE	5'-2 3/4"	32° >/_ /< 32°	5
A3	2" 16g ROUND TUBE	4'-4 1/8"	32° >/_ /< 32°	5
A4	2" 16g ROUND TUBE	3'-3 1/2"	90°  _ /< 32°	5
A6	2" 16g ROUND TUBE	2'-10 5/8"	90°  _ /< 32°	10
F1	1/8" FLATBAR	0'-4"	90°  _   90°	15

Notes:  
 -PIECES A2 - A6 ARE COPED AT A 32° ANGLE USING A 2" HOLE SAW  
 -COPED PARTS ARE DIMENSIONED TO INSIDE DIAMETER  
 -RAILINGS THROUGH BOLT TO CRUSH PLATES USING 3/8" HEX BOLTS

# \*\*MAKE 2 (MIRRORED)



1 RAIL B TOP VIEW NTS



2 RAIL A SIDE VIEW NTS

RAIL B PARTS LIST				
TAG	MATERIAL	LENGTH	ANGLE	QTY
B1	2" 16g ROUND TUBE	3'-8 1/4"	90°   45°	2
B2	2" 16g ROUND TUBE	3'-2 5/8"	90° >   < 90°	2
B3	2" 16g ROUND TUBE	3'-3 1/8"	90°   < 90°	2
F1	1/8" FLATBAR	0'-3"	90°   90°	4

Notes:  
 -PIECES B2, B3 ARE COPED USING A 2" HOLE SAW  
 -COPE PARTS ARE DIMENSIONED TO INSIDE DIAMETER  
 -RAILINGS THROUGH BOLT TO CRUSH PLATES USING 3/8" HEX BOLTS

**CALARTS**  
 TECHNICAL DESIGN  
 24700 MCBEAN PARKWAY  
 VALENCIA, CA. 91355  
 608-432-9263  
 WWW.CALARTS.EDU

TD: KEVIN BROWN  
 410-443-5376  
 ATD: MASON AXELSON  
 503-277-3650

DRAFTED BY:  
 GABRIEL BENNETT  
 PHONE #:  
 510 710 0327

CALARTS SCHOOL OF THEATER- E407

**HEDDA GABLER**

REV #:V.1

SCALE:1/2" : 1'

DATE:10-6-2010

ELEMENT:AUDIANCE HANDRAILS

DRAWING TITLE:RAIL B

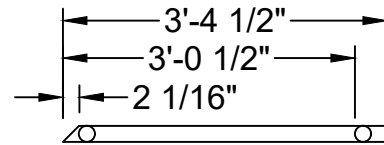
DRAWING #:HG-611

AWAITING REVIEW:

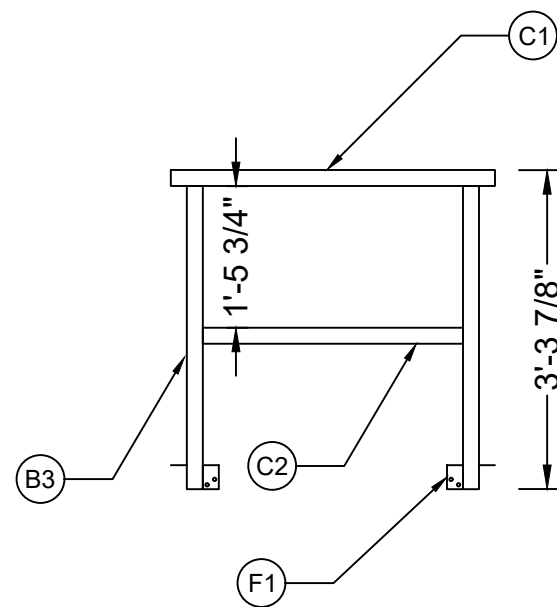
APPROVED FOR SHOP:

APPROVED BY:

# \*\* MAKE 2 (MIRRORED)



1 RAIL B TOP VIEW NTS



2 RAIL A SIDE VIEW NTS

## RAIL C PARTS LIST

TAG	MATERIAL	LENGTH	ANGLE	QTY
C1	2" 16g ROUND TUBE	3'-4 1/2"	45°   90°	2
C2	2" 16g ROUND TUBE	2'-8 1/2"	90° >   < 90°	2
B3	2" 16g ROUND TUBE	3'-3 1/8"	90°   < 90°	4
F1	1/8" FLATBAR	0'-3"	90°   90°	4

Notes:  
 -PIECES C2, B3 ARE COPED USING A 2" HOLE SAW  
 -COPE PARTS ARE DIMENSIONED TO INSIDE DIAMETER  
 -RAILINGS THROUGH BOLT TO CRUSH PLATES USING 3/8" HEX BOLTS

**CALARTS**  
 TECHNICAL DESIGN  
 24700 MCBEAN PARKWAY  
 VALENCIA, CA. 91355  
 608-432-9263  
 WWW.CALARTS.EDU

TD: KEVIN BROWN  
 410-443-5376  
 ATD: MASON AXELSON  
 503-277-3650

DRAFTED BY:  
 GABRIEL BENNETT  
 PHONE #:  
 510 710 0327

CALARTS SCHOOL OF THEATER- E407

**HEDDA GABLER**

REV #:V.1

SCALE:1/2" = 1'

DATE:10-6-2010

ELEMENT:AUDIANCE HANDRAILS

DRAWING TITLE:RAIL C

DRAWING #:HG-612

AWAITING REVIEW:

APPROVED FOR SHOP:

APPROVED BY: